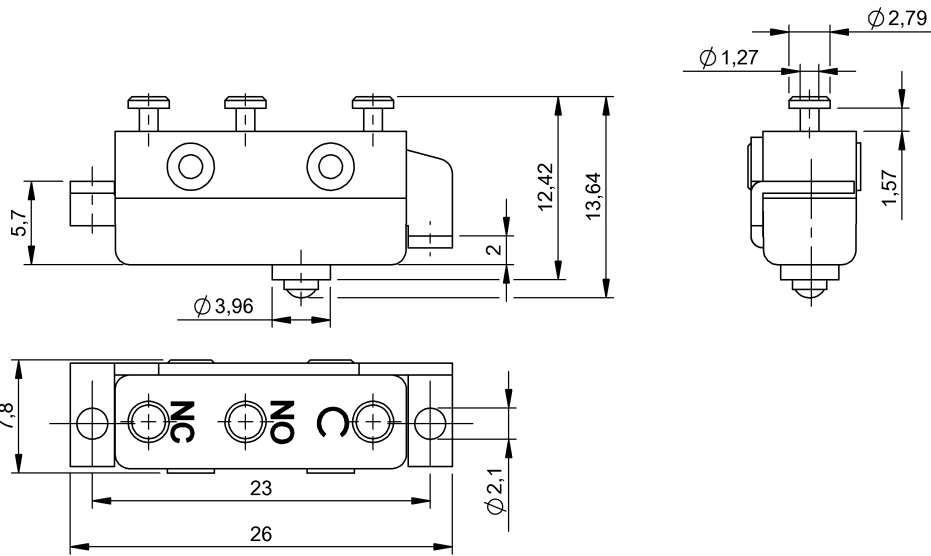


Mechanical Cam Switches
BSE 79-RK
 Order Code: BSE000R

BALLUFF



Basic features

Additional features	high temperature rated
Approval/Conformity	CE UKCA CCC WEEE
Use with series	EGT 100 EGT 99 RGT 40 RGT 46

Electrical connection

Connection type	1. Switch position: Solder connection
Contact system	Single-pin changeover

Electrical data

Contact arrangement	NC: C+NC NO: C+NO
Mechanical life expectancy min.	10 mil. switching operations
Nominal voltage	250 VAC/125 VDC
Rated continuous current	5.0 A
Rated operating current Ie	0.3 A
Rated operating current Ie AC	5 A
Rated operating voltage Ue AC	250 V
Rated operating voltage Ue DC	125 V
Switching actuation force max.	1.39 N
Switching principle	Snap switch

Environmental conditions

Ambient temperature	-55...125 °C
Ambient temperature max.	125 °C or 204 °C for 100 hrs.

Material

Housing material	Duroplast, High-temperature resistant
Material contacts	Silver
Material contacts	1. Switch position: Silver

Mechanical data

Connection cross-section	0.75 mm ²
Switching actuation force min.	0.83 N

Remarks

Ambient temperature max.: 180 °C 10h/day

Wiring Diagrams

